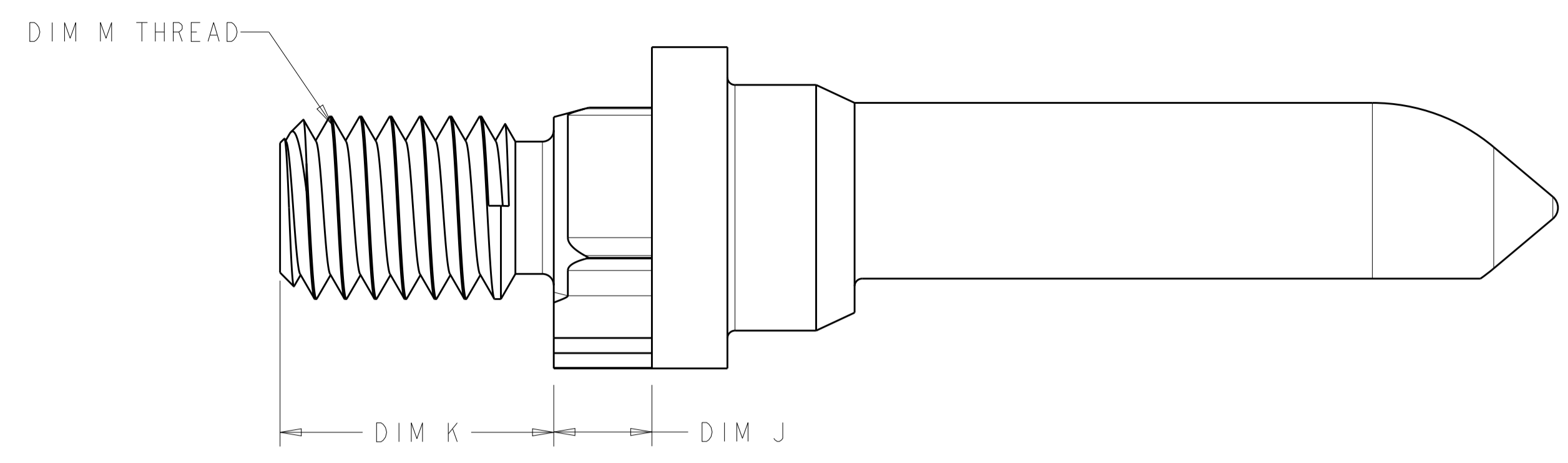
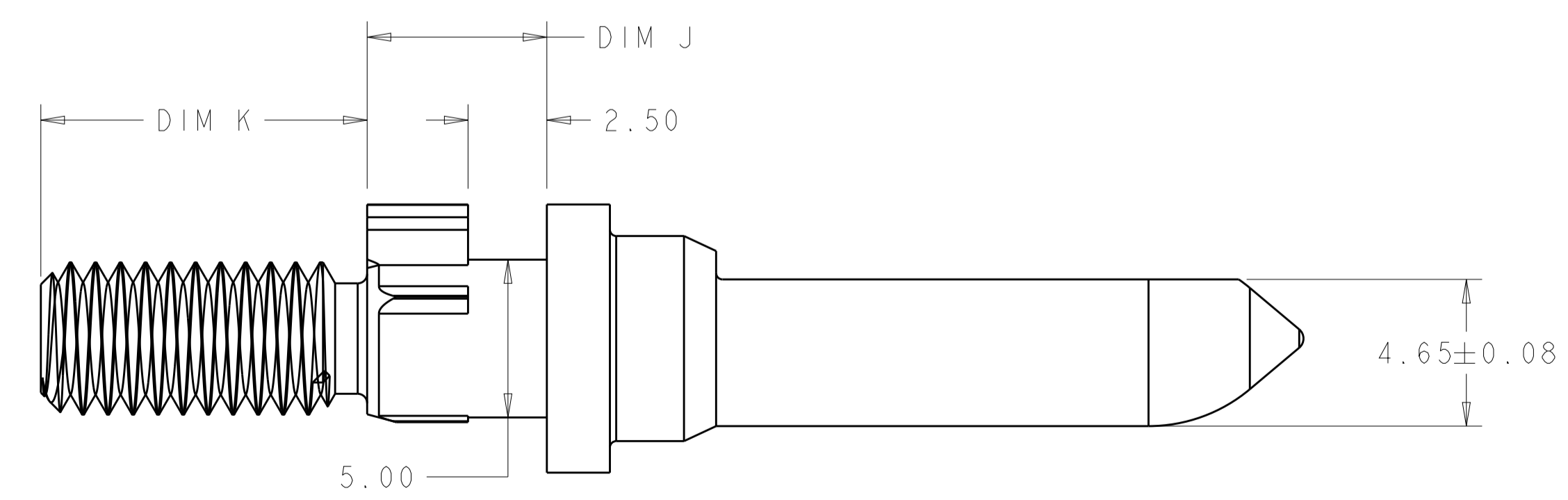
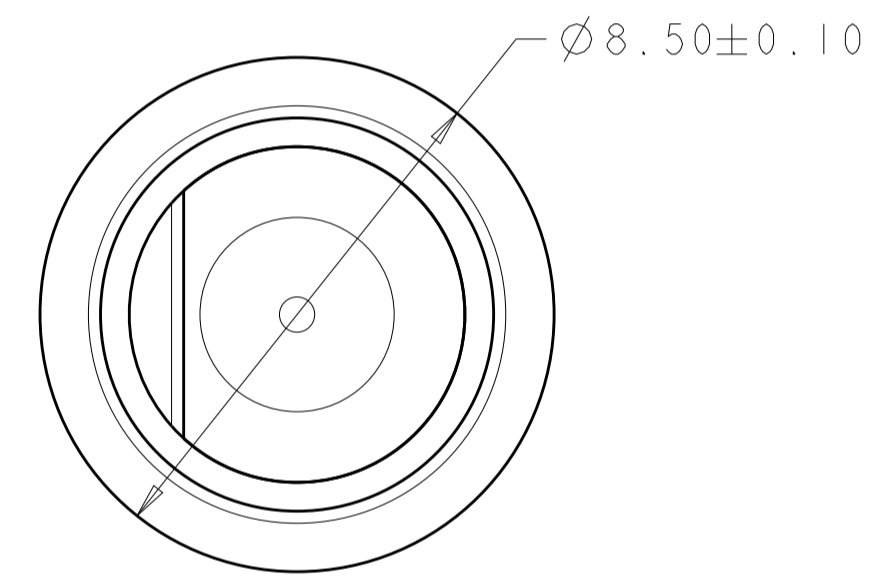
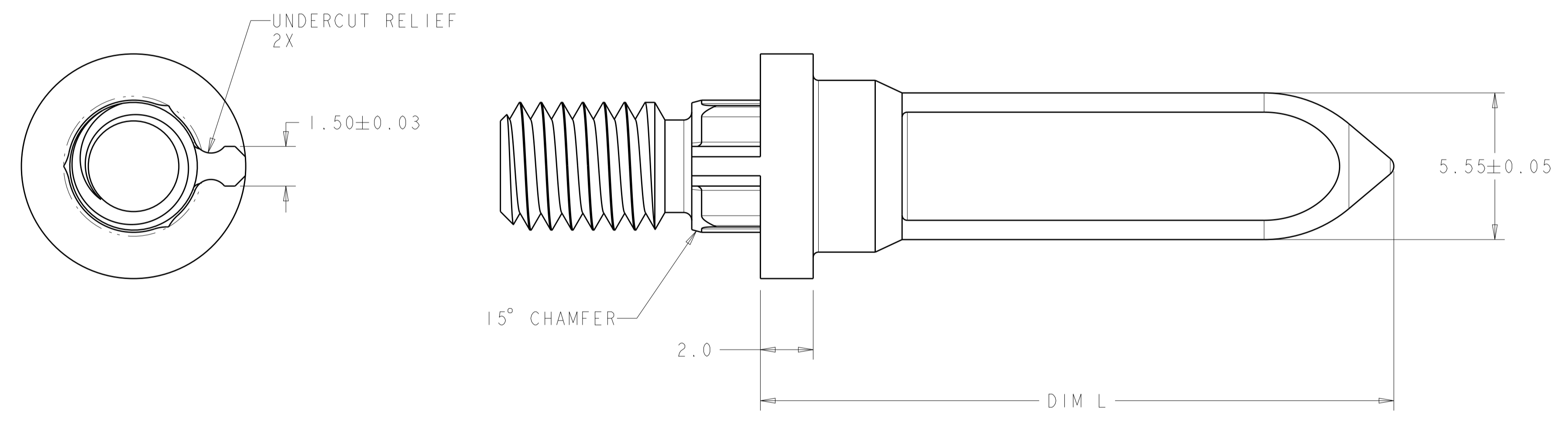


LOC		DIST		REVISIONS			
P	LTN	DESCRIPTION	DATE	DWN	APVD		
J		REV PER ECO 15-008958	6-17-15	CT	DH		
K		REVISED PER ECO-15-009750	01JUL2015	DLB	DH		



- 1 MATERIAL: STAINLESS STEEL (303)
- 2 FINISH: PASSIVATED
- 3 KEY HOLE ORIENTATION (DIM A) PER MATING GUIDE MODULE PART NUMBER TABLE (ORIENTATION SHOWN ON PCB LAYOUT IS FOR 1-2000677-2 OR 2000713-2)
- 4 ANNULAR RING PLATED AROUND GUIDE PIN MOUNTING HOLE ON TOP AND BOTTOM SIDE OF BOARD



2000676-6 ONLY
 SCALE 6:1

10-32 UNF	19	7.25	5.70	1-2000676-3
10-32 UNF	19	7.25	4.20	1-2000676-2
10-32 UNF	19	7.25	1.32	1-2000676-0
M5X.8-6g	24	6.30	2.40	2000676-9
M5X.8-6g	19	9.00	3.40	2000676-8
M5X.8-6g	24	9.00	3.40	2000676-7
10-32 UNF	24	10.35	5.70	2000676-6
10-32 UNF	24	7.25	7.30	2000676-5
10-32 UNF	24	7.25	5.70	2000676-4
10-32 UNF	24	7.25	4.20	2000676-3
10-32 UNF	24	7.25	2.60	2000676-2
10-32 UNF	24	7.25	1.32	2000676-1
DIM M THREAD	DIM L	DIM K	DIM J	PART NUMBER

THIS DRAWING IS A CONTROLLED DOCUMENT.

DIMENSIONS: mm

TOLERANCES UNLESS OTHERWISE SPECIFIED:

0 PLC	±	
1 PLC	±0.5	
2 PLC	±0.13	
3 PLC	±0.013	
4 PLC	±	
ANGLES	±	
FINISH	±	

MATERIAL: FINISH:

THIS DRAWING IS A CONTROLLED DOCUMENT. DWN: McALONIS, M. 10JAN08
 CHK: McALONIS, M. 10JAN08
 APVD: McALONIS, M. 10JAN08

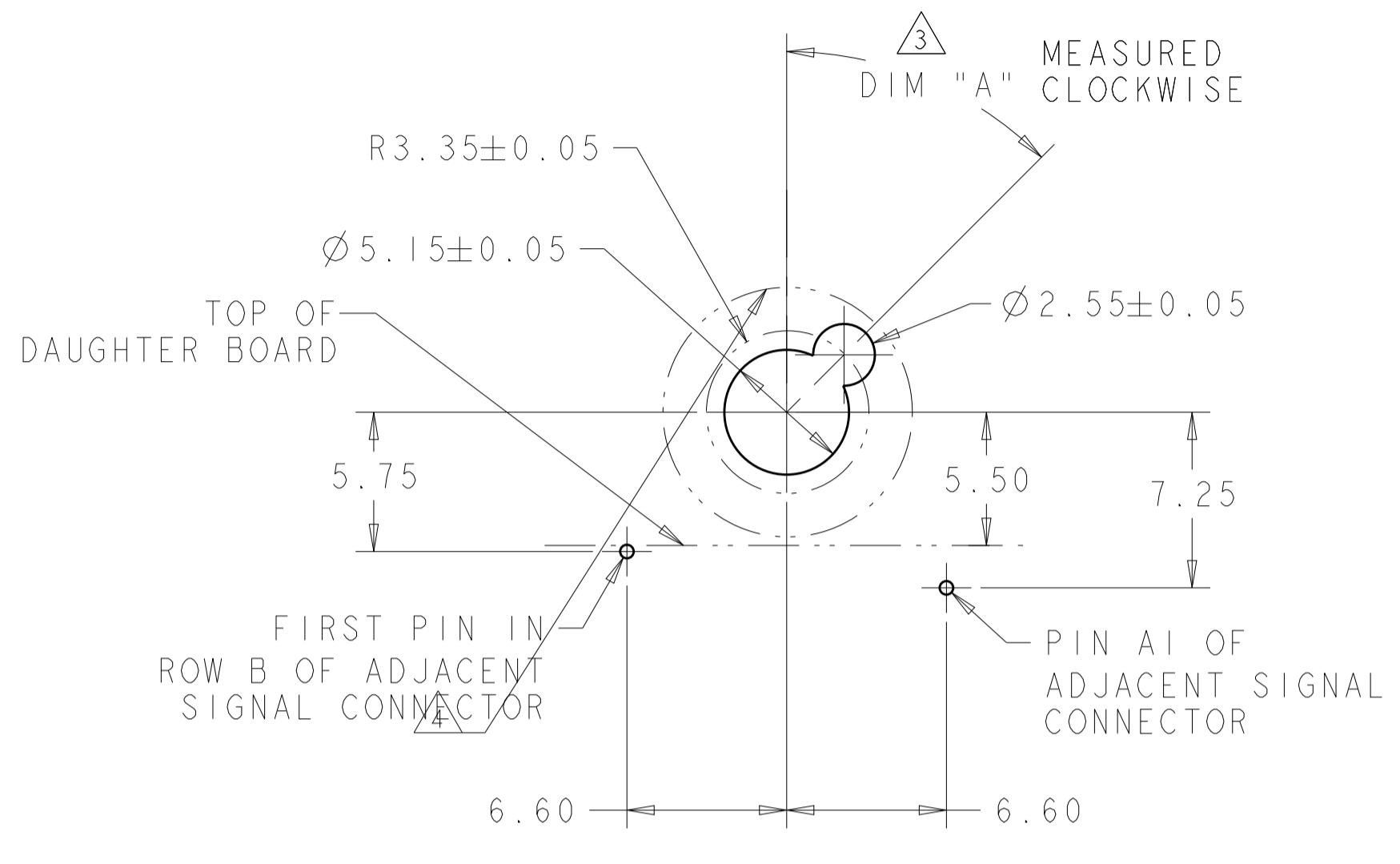
NAME: **STE** TE Connectivity

PRODUCT SPEC: 108-2072
 APPLICATION SPEC: 114-13056

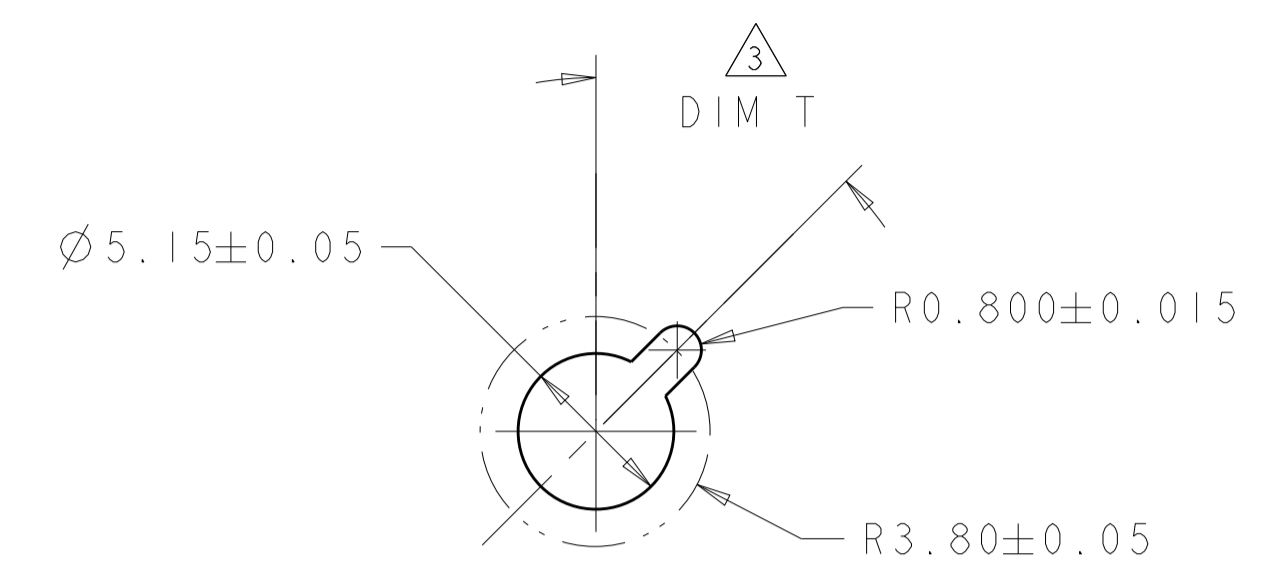
SIZE: A1 CAGE CODE: 00779 DRAWING NO: 2000676
 WEIGHT: -

CUSTOMER DRAWING SCALE: 8:1 SHEET 1 OF 2 REV K

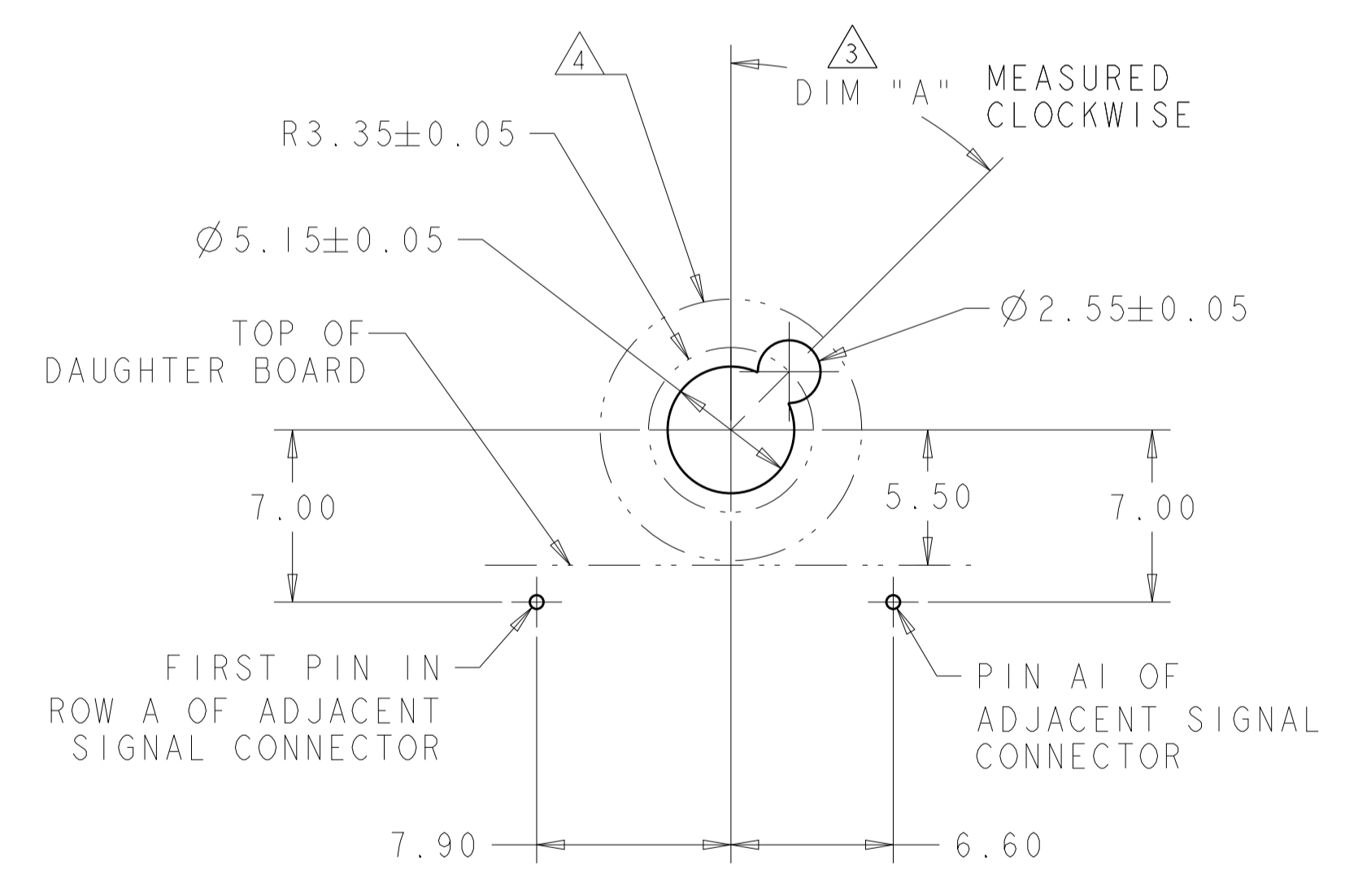
LOC		DIST		REVISIONS			
				REV	DATE	BY	APPV
-	-	-	-	-	-	-	-
-	-	-	-	1	SEE SHEET 1	-	-



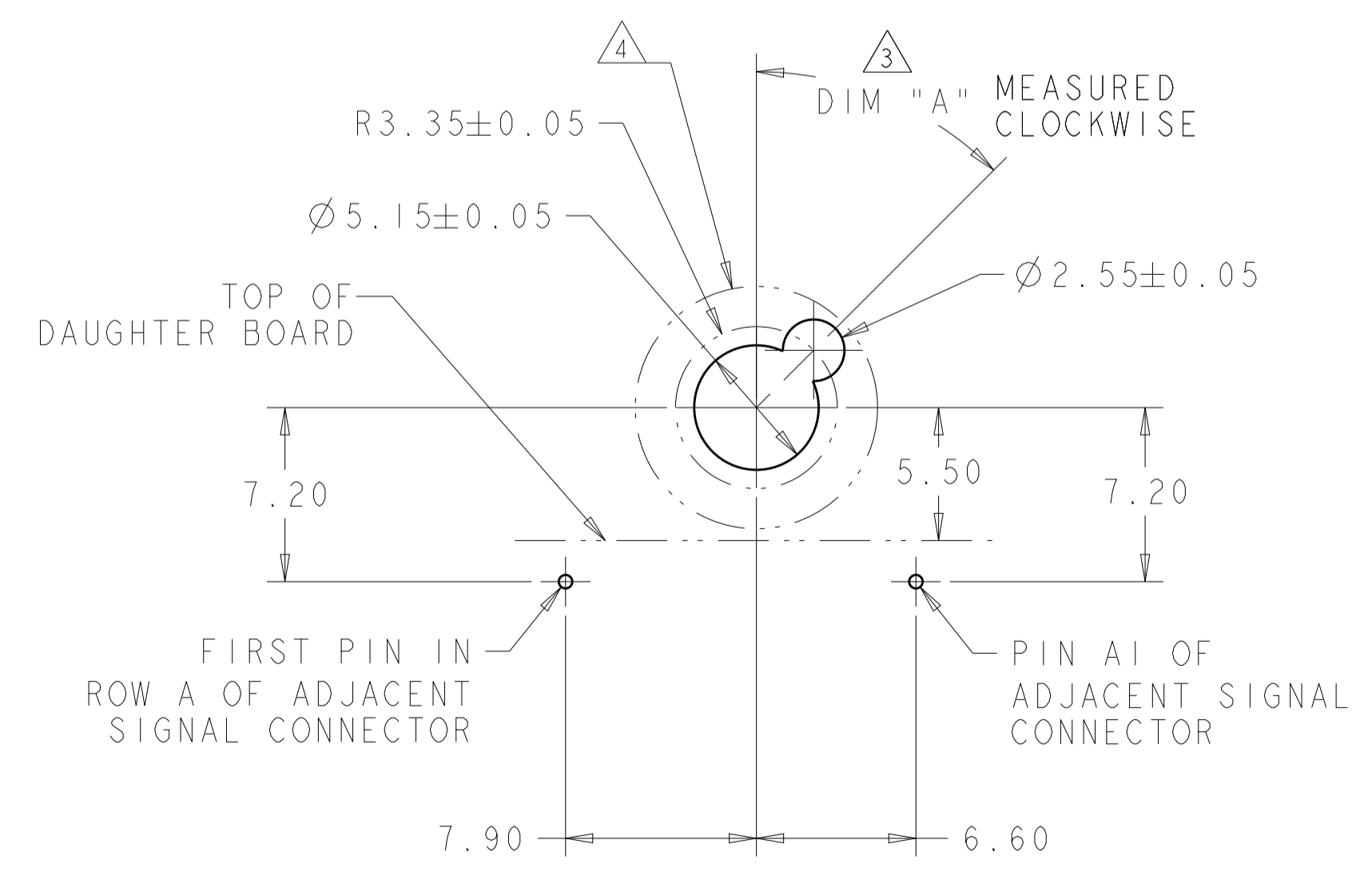
TIER 1
GUIDE PIN FOOTPRINT
(20.3 & 25.4mm SIGNAL MODULES)
SCALE 4:1



ALTERNATE PCB LAYOUT
FOR GUIDE POST
SCALE 4:1



TIER 2
GUIDE PIN FOOTPRINT
(25.4mm SIGNAL MODULES)
SCALE 4:1



TIER 2
GUIDE PIN FOOTPRINT
(20.3mm SIGNAL MODULES)
SCALE 4:1

W/O ESD SPRING	NO KEY	2-2000677-9
W/O ESD SPRING	315°	2-2000677-8
W/O ESD SPRING	270°	2-2000677-7
W/O ESD SPRING	90°	2-2000677-3
W/O ESD SPRING	45°	2-2000677-2
W/O ESD SPRING	0°	2-2000677-1
W/O ESD SPRING	0°	2-2000677-0
W/O ESD SPRING	NO KEY	1-2000677-9
W/O ESD SPRING	315°	1-2000677-8
W/O ESD SPRING	270°	1-2000677-7
W/O ESD SPRING	90°	1-2000677-3
W/O ESD SPRING	45°	1-2000677-2
W/ESD SPRING	NO KEY	2000713-6
W/ESD SPRING	315°	2000713-5
W/ESD SPRING	270°	2000713-4
W/ESD SPRING	90°	2000713-3
W/ESD SPRING	45°	2000713-2
W/ESD SPRING	0°	2000713-1
ESD SPRING	DIM T	20.3mm GUIDE MODULE

MATING GUIDE MODULE Δ 3

THIS DRAWING IS A CONTROLLED DOCUMENT.		OWN McALONIS, M.	10JAN08		TE Connectivity
DIMENSIONS: mm		CHK McALONIS, M.	10JAN08		NAME
TOLERANCES UNLESS OTHERWISE SPECIFIED:		APV McALONIS, M.	10JAN08	PRODUCT SPEC	
0 PLC ±0.5				APPLICATION SPEC	
2 PLC ±0.13				SIZE	CAGE CODE DRAWING NO
3 PLC ±0.013				114-13056	RESTRICTED TO
4 PLC ±0.013				WEIGHT	A100779C=2000676
ANGLES				CUSTOMER DRAWING	SCALE 1:1 SHEET 2 OF 2 REV K